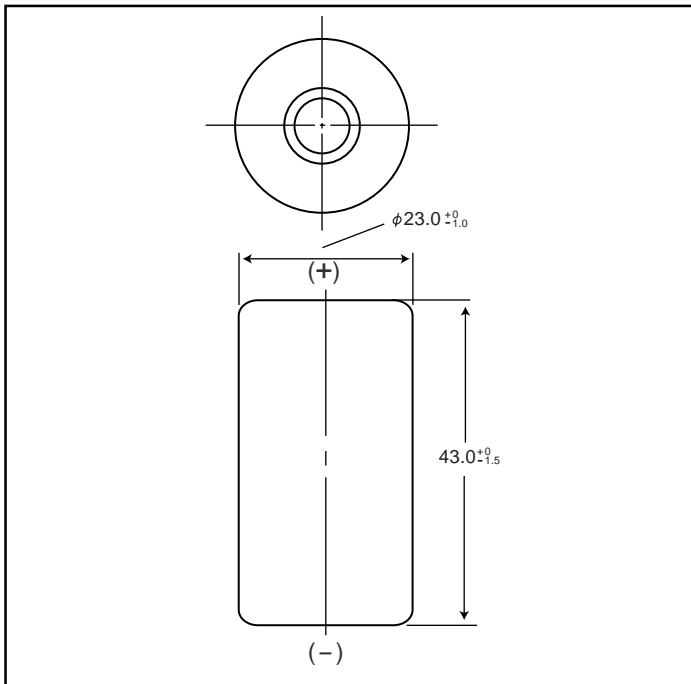


NICKEL CADMIUM BATTERIES: INDIVIDUAL DATA SHEET

P-170SCS SC size (KR23/43) Type: P

Dimensions (with tube) (mm)



Specifications

	mm	inch
Diameter	23.0 +0/-1.0	0.91 +0/-0.04
Height	43.0 +0/-1.5	1.69 +0/-0.06
Approximate Weight	Grams	Ounces
	48g	1.69

Nominal Voltage		1.2V		
Discharge Capacity*	Average**	1800mAh		
	Rated (Min.)	1700mAh		
Approx. Internal impedance at 1000Hz at charged state		5mΩ		
Charge	Standard	170mA (0.1It) x 16 hrs.		
	Rapid***	1700mA (1It) x 1.5 hrs.		
Ambient Temperature	Charge	Standard	°C	°F
			0°C to 45°C	32°F to 113°F
	Rapid	10°C to 40°C	50°F to 104°F	
		Discharge		-20°C to 65°C
	Storage	< 2 years	-20°C to 35°C	-4°F to 95°F
		< 6 months	-20°C to 45°C	-4°F to 113°F
< 1 month		-20°C to 55°C	-4°F to 131°F	
< 1 week		-20°C to 65°C	-4°F to 149°F	

* 0.2It discharge capacity after charging at 0.1It for 16 hours.

** For reference only.

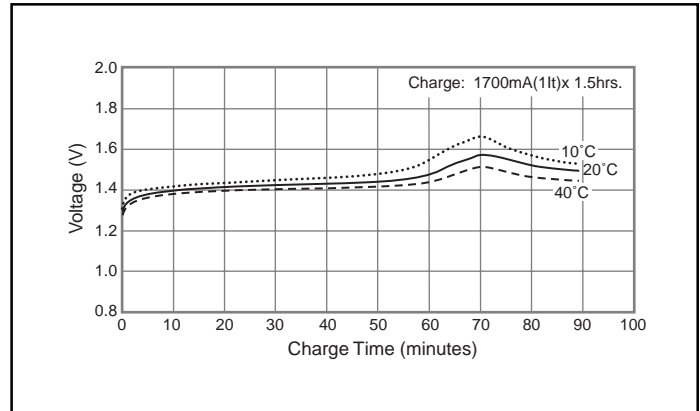
*** Refer to "Charge Methods for Ni-Cd Batteries"

Battery performance and cycle life are strongly affected by how they are used. In order to maximize battery safety, please consult Panasonic when determining charge / discharge specs, warning label contents and unit design.

Note: [It] was previously expressed as [C]. [It] is an IEC standard expression for the amount of charge or discharge current and is expressed as:
It(A) = Cn (Ah)/1h.

- [It] is the reference test current in amperes
- [Cn] is the rated capacity of the cell or battery in Ampere-hours.
n = the time base [hours] for which the rated capacity is declared

Typical Charge Characteristics



Typical Discharge Characteristics

